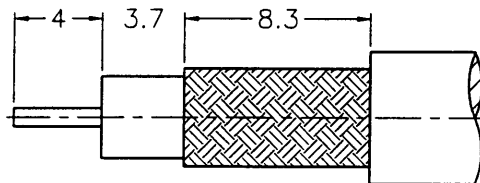


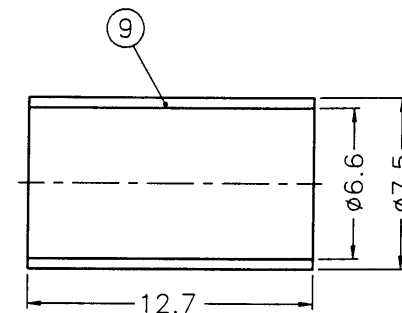
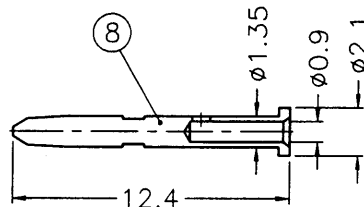
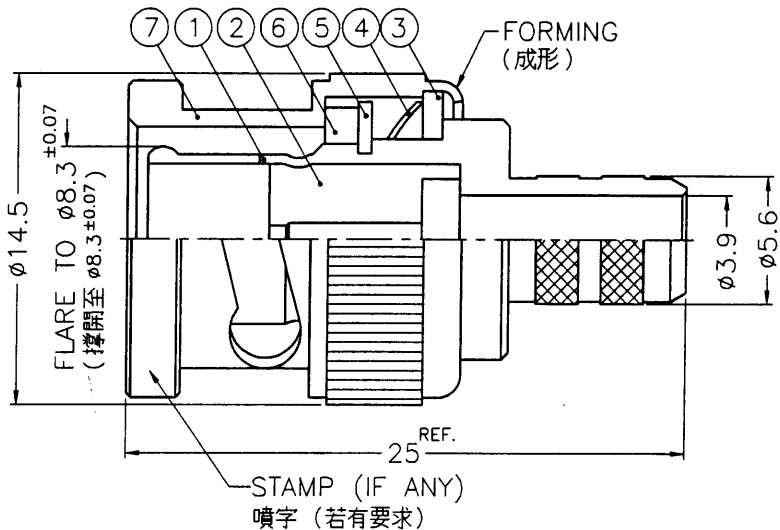
1 2 3 4 5 6 7 8

REVISIONS		
ISS	ZONE	DESCRIPTION\PER REQUEST\DATE



RECOMMENDED
CABLE STRIPPING DIM'S
(建議剝線尺寸)

業務部



NOTES: FINISH (PLATING THICKNESS IN MICRO-INCHES)

- BRASS PER QQ-B-626
- BRASS PER QQ-B-613
- NICKEL PL. 100 MIN. THICK OVER COPPER STRIKE
- NICKEL PL. 200 MIN. THICK OVER COPPER STRIKE
- GOLD PL. 3 MIN. THICK OVER NICKEL PL. 100 MIN. THICK OVER COPPER STRIKE
- TEFLON MIL-P-19468
- JIS H 3250, C 2700

出圖
2001.5.15
設計部

- CRIMPED FERRULE
HEX CRIMP SIZE .255"
- CRIMPED CONTACT PIN
SQ. CRIMP SIZE .043"

9	FERRULE	NOTE 7	NOTE 3	1	FR-75/66x127
8	CONTACT PIN	NOTE 1	NOTE 5	1	10-03001-204-8-0.9-B
7	SHELL	NOTE 1	NOTE 3	1	B50000-1-B
6	GASKET	RUBBER	RED	1	GS-115/8X15
5	RETAINER RING	NOTE 1	NOTE 3	1	B50000-5
4	SPRING	SK5	NOTE 4	1	B50000-6
3	WASHER	NOTE 2	NOTE 3	1	WS-128/9X08
2	INSULATOR	NOTE 6	NATURAL	1	10-03001-204-3-A
1	BODY	NOTE 1	NOTE 3	1	B50000-2-56/39
NO.	DESCRIPTION	MATERIAL	FINISH	Q'TY	DRAWING NO.

DIMENSIONS ARE IN MILLIMETERS

UNLESS OTHERWISE SPECIFIED TOLERANCES

- 0.5-6 = ±0.2
- 6-30 = ±0.4
- 30-120 = ±0.6
- 120-315 = ±1
- 315-1000 = ±1.6
- 1000-2000 = ±2.4

PART NO.

APPROVED

CHECKED

DRAWN

DATE

DATE

DATE

05-11-01'

05-11-01'

05-11-01'

Amphenol - Kai Jack

TAINAN TAIWAN

TITLE

BNC CRIMP PLUG

DRAWING NO.

KJ-B1121A9-NT3G-59U/20AWG-75

FILE NO.

F:\DWG\B\1121A9\59U20AWG-75\NT3G

RDBDR1154